

Product Manual... Placard VS Series PRA-005-XXX-304

Table of Contents

I.	Revisions	1
II.	Product	2
III.	Installation	9
IV.	Operation	18

REV	CHANGE	CREATED BY	APPROVAL	DATE
A	NEW RELEASE	DG	CB	9/06/2023
B	VARIOUS CONTENT UPDATES ... SHEETS 5, 10, 12, 15, 17, 18	DG	CB	10/05/2023
C	REMOVE HOT SURFACE WARNINGS	DG	CB	10/10/2023
D	ADD TORQUE VALUE FOR REAR ACCESS PANEL HARDWARE	DG	CB	11/09/2023
E	ADD OPERATING TEMPERATURE	DG	CB	11/13/2023
F	REVISE I/O CONFIGURATION SCHEMATICS	DG	CB	11/19/2023
G	VARIOUS UPDATES ... ADD VS55 DETAIL, SHOW VS65 & VS75 CHANGES	DG	CB	3/01/2024

Placard VS ... Product Description

1. VS Series 24VDC displays are currently available in two LCD panel sizes:
 - 55", 65" and 75" measured diagonally across the screen.
 - Displays have a cable tail terminated in a Neutrik connector for attachment to their PSU Assembly.
2. VS Series displays are supplied as *Type B* or *Type C*, with different I/O panel configurations:
 - *Type B* includes an integrated content player[¶], with the ability to drive video to a maximum of three inter-connected displays via [2] HDMI outputs on the I/O panel.
 - *Type C* does not include a content player and has an HDMI input on the I/O panel.
3. All sizes of display are installed in Portrait orientation, and require a size specific mounting frame, allowing hinged access to the rear I/O panel.
 - Displays attach to their mounting frame using [8] stainless steel "buttons" which locate into keyhole fixings, they are mechanically retained using [2] M6x40 bolts.
 - When mounted on their frame, VS Series displays meet the 4" maximum depth requirement of the American Disabilities Act [ADA].
4. Each display requires a display size specific 24VDC output PSU Assembly:
 - The PSU Assembly is attached to the equipment panel of the display mounting frame.
 - The PSU Assembly is supplied with a 2m cable tail for hardwiring into a 110 ~ 240VAC electrical circuit.
 - Each PSU Assembly has an emergency power reset button, **this is not a supply disconnect** which must be provided in the electrical circuit by the installer.
5. PLACARD VS displays are designed for wall-mounting in a semi-outdoor environment, away from direct sunlight.

[¶] Integrated playback device is an Intel Tiger Lake-U processor based mini ITX format motherboard, with SATA M.2 storage and DDR4 memory.

Placard VS ... Product SKU# ref. and sub-assembly parts

Placard VS55... Wall-mounted Display PRA-005-004-304

Display Panel – Only not including PSU Assembly									
PRA	005	004	001	B	PLACARD	55"	VS	PORTRAIT	Semi-outdoor LCD display Monitor [integrated player dual HDMI output]
				C	PLACARD	55"	VS	PORTRAIT	Semi-outdoor LCD display Monitor [no player external HDMI input]
Mounting Frame									
PRA	005	004	201L		PLACARD	55"	VS	PORTRAIT	LH hinged wall-mounting frame [RH latching]
Power Supply Assembly									
PRA	005	004	501		PLACARD	55"	VS	PORTRAIT	PSU Enclosure Assembly [for attachment to a wall-mounting frame]

Placard VS65... Wall-mounted Display PRA-005-005-304

Display Panel – Only not including PSU Assembly									
PRA	005	005	001	B	PLACARD	65"	VS	PORTRAIT	Semi-outdoor LCD display Monitor [integrated player dual HDMI output]
				C	PLACARD	65"	VS	PORTRAIT	Semi-outdoor LCD display Monitor [no player external HDMI input]
Mounting Frame									
PRA	005	005	201L		PLACARD	65"	VS	PORTRAIT	LH hinged wall-mounting frame [RH latching]
Power Supply Assembly									
PRA	005	005	501		PLACARD	65"	VS	PORTRAIT	PSU Enclosure Assembly [for attachment to a wall-mounting frame]

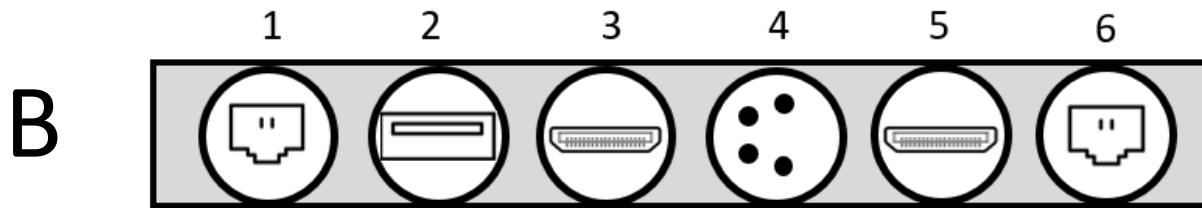
Placard VS75... Wall-mounted Display PRA-005-006-304

Display Panel – Only not including PSU Assembly									
PRA	005	006	001	B	PLACARD	75"	VS	PORTRAIT	Semi-outdoor LCD display Monitor [integrated player dual HDMI output]
				C	PLACARD	75"	VS	PORTRAIT	Semi-outdoor LCD display Monitor [no player external HDMI input]
Mounting Frame									
PRA	005	006	201L		PLACARD	75"	VS	PORTRAIT	LH hinged wall-mounting frame [RH latching]
Power Supply Assembly									
PRA	005	006	501		PLACARD	75"	VS	PORTRAIT	PSU Enclosure Assembly [for attachment to a wall-mounting frame]

Placard VS ... Product I/O Panel Configurations [6 port Neutrik connector standard]

Type B Display I/O Panel Configuration

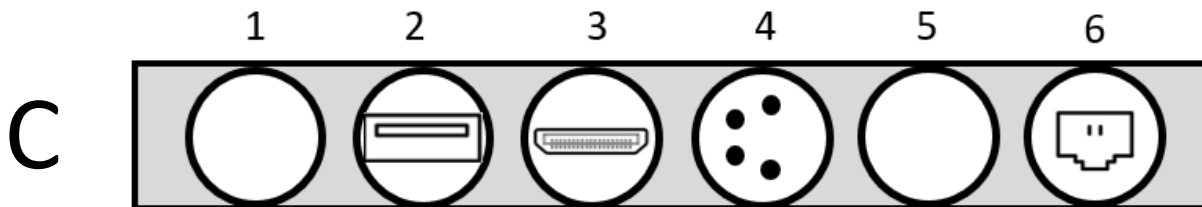
Display has an integrated player with dual-HDMI out



1. RJ45 for network connection to integrated player.
2. Player USB for keyboard/mouse etc.
3. HDMI out for panel 1.
4. 12VDC out to external device.
5. HDMI out for panel 3.
6. RJ45 for network connection to telemetry.

Type C Display I/O Panel Configuration

Display has no player and single HDMI in



1. Blank.
2. USB to serial adapter on telemetry board.
3. HDMI in from Type B display I/O panel.
4. 12VDC out to external device.
5. Blank.
6. RJ45 for network connection to telemetry.

Placard VS ... Product General Safety Precautions



WARNING:

A local Certified Structural Engineer must specify and stamp a suitable support system for each site, including walls, footings, stands, and all anchoring hardware.



WARNING:

Ensure that all cables are properly located and secured to prevent "pinching" while opening and closing the equipment swing frame.



WARNING:

Refer to the applicable kit Field Assembly (FA) Drawing instructions to ensure correct and safe installation and interconnection of the equipment.



WARNING:

THE SYSTEM CONTAINS NO USER-SERVICEABLE PARTS. Removal of all panels must only be carried out by a Praevar authorized technician. Failure to comply with void all warranties.



LIFTING HAZARD:

Placard VS displays are heavy! Do NOT lift or move these heavy objects without proper mechanical lift assistance.



WARNING:

This product allows no user access to any of the integrated internal electronics within central the sealed vault, if the rear fixings or panels are tampered with or removed, warranty is void. System should be referred to an accredited service provider for any repair, upgrade or part replacement.



WARNING:

All power connections to be completed by a Certified Electrician, in accordance with the approved wiring schematic.



WARNING:

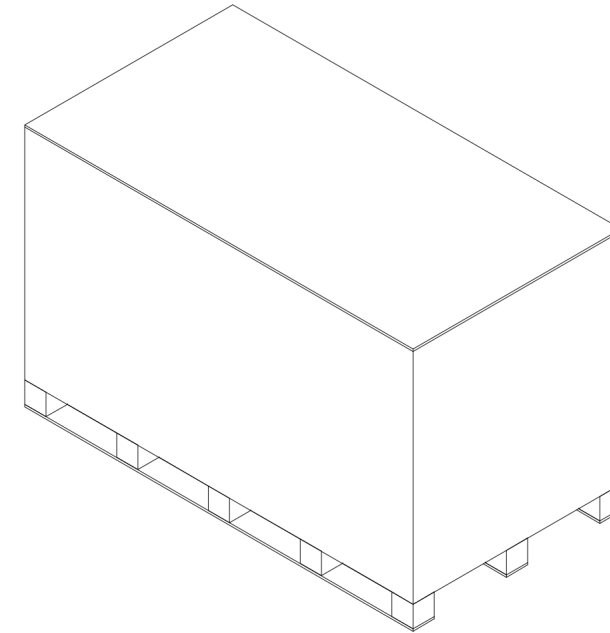
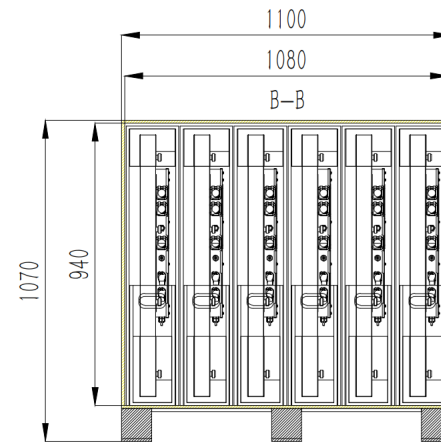
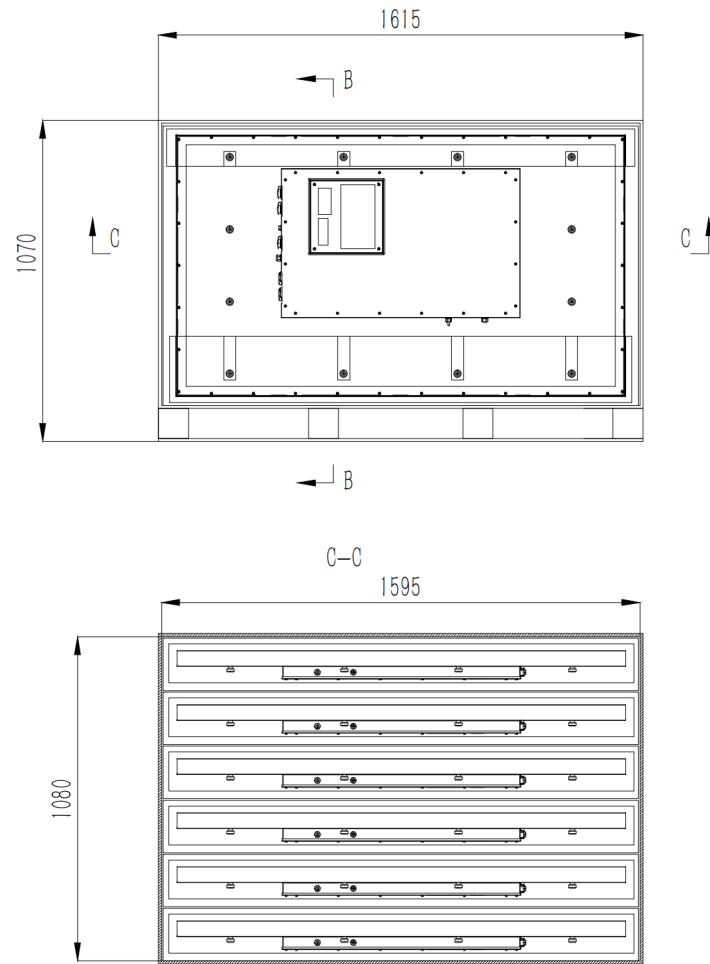
Operating temperature is -4°F to +122°F [-20°C to +50°C]



HAZARDOUS VOLTAGE:

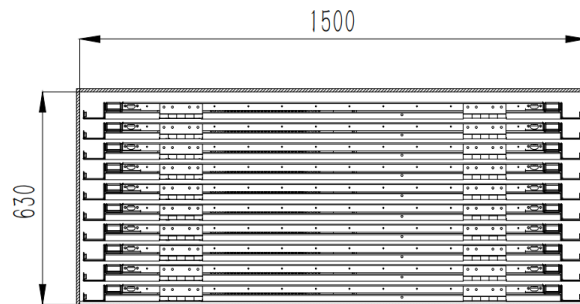
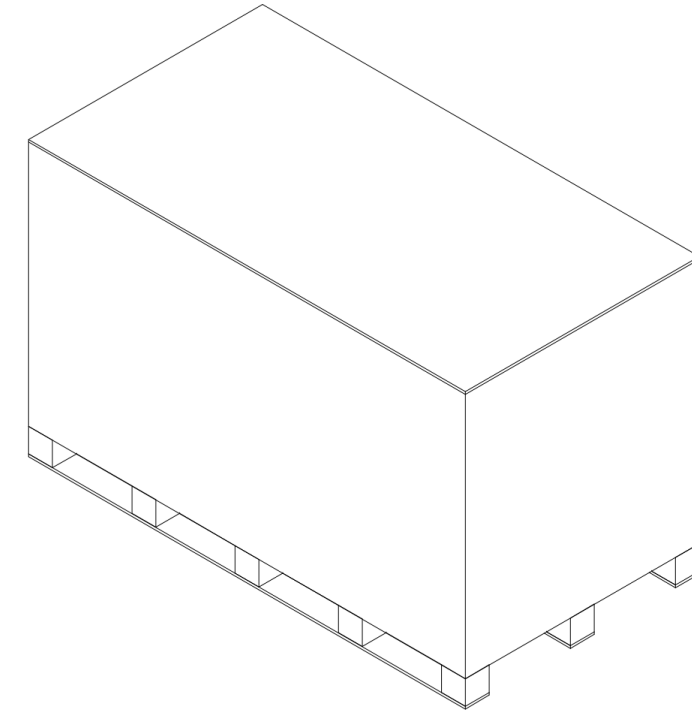
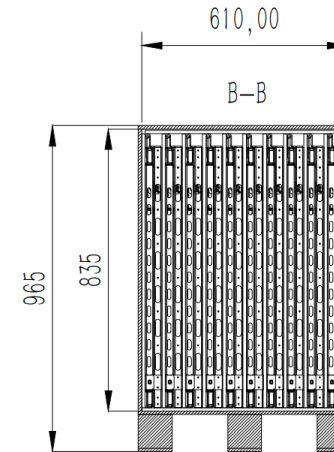
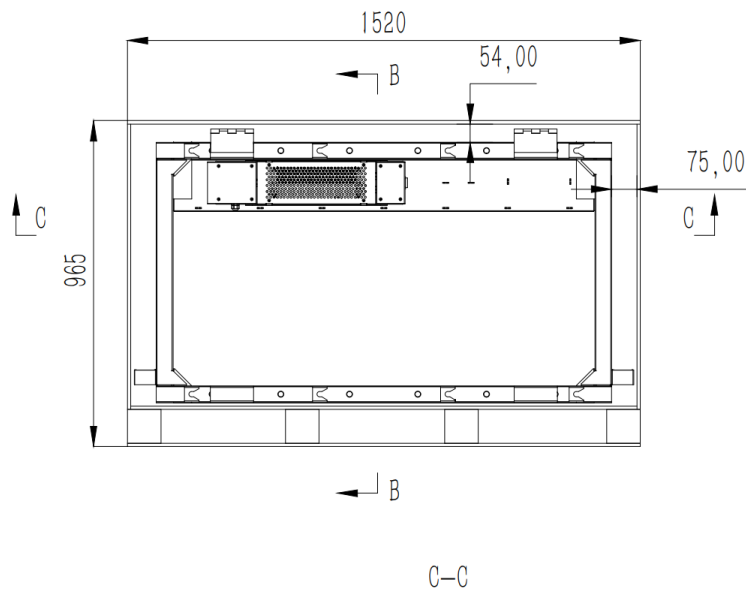
Risk of electric shock! Ensure power is disconnected before opening for service. An all-pole 20A circuit breaker (in accordance with IEC 62368-1 Annex L) shall be incorporated in the electrical installation of the building.

Placard VS ... Product Packaging (VS65 Display Module shown for Reference)



- Internal details of crate.
- Each crate contains a maximum of [6] displays, each within a cardboard carton.
- Individual cartons will be marked with the display SKU reference of contents [Example, PRA-005-005-001B or -001C]

Placard VS ... Product Packaging (VS65 Display Module shown for Reference)

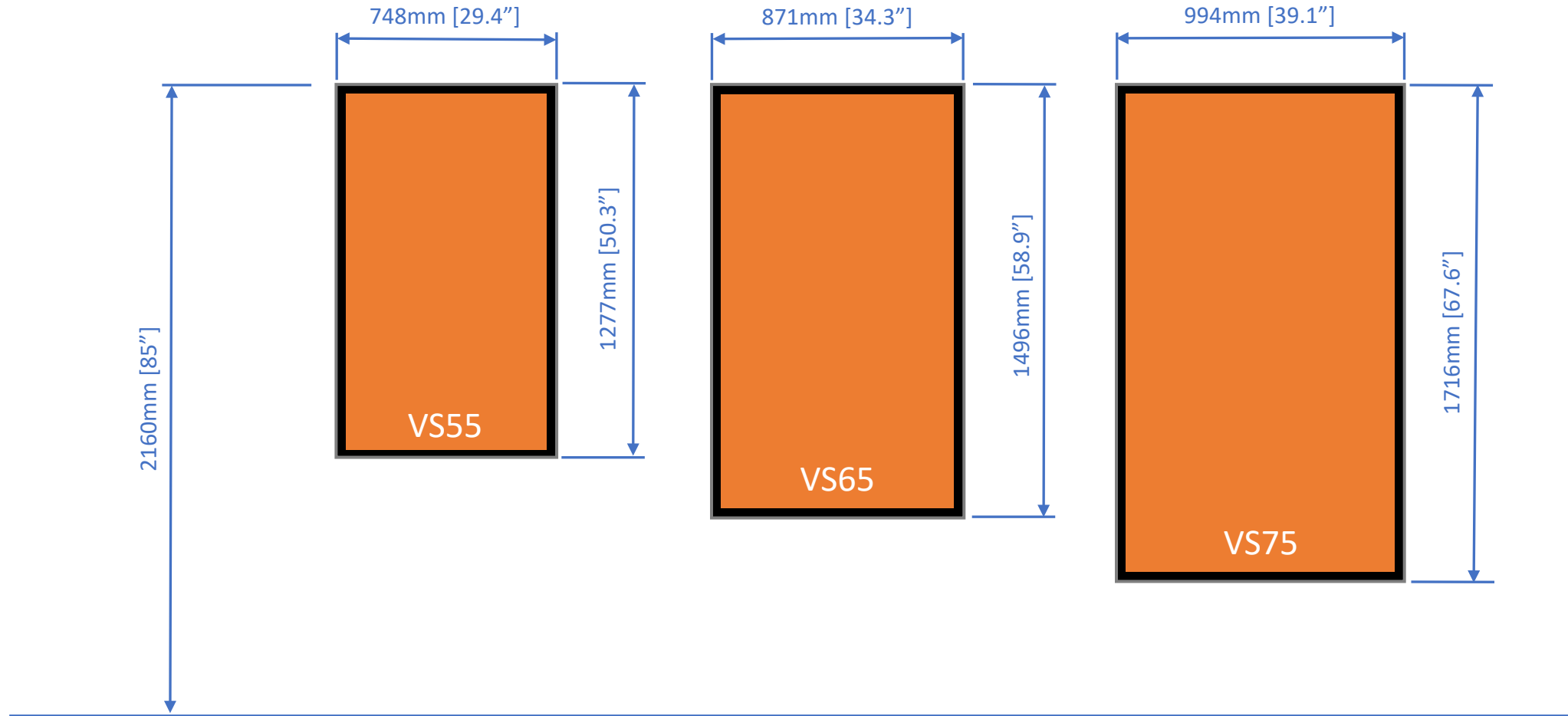


- Internal details of crate.
- Each crate contains a maximum of [10] wall mounted single kits.
- Crates will be marked with SKU reference of contents.
[Example, PRA-005-005-304]

Placard VS ... Product Dimensions

Refer to applicable GA & FA Drawings for Detailed General Arrangement & Field Assembly Information

- VS55 References PRA-005-004-001GA & PRA-005-004-304FA, VS65 References PRA-005-005-001GA & PRA-005-005-304FA, VS75 References PRA-005-006-001GA & PRA-005-006-304FA
- All VS Series displays have a 3mm aluminum bezel with a fully glazed fascia, and black frit border of 30mm all around the display window..
- All VS Series displays are 97.7mm [3.9"] depth, 101.6mm [4.0"] overall depth when wall-frame mounted..
- Displays have a recommended installation height above grade of 2160mm [85"] to their top surface..



Installation

Placard VS ... Installation Precautions & Notes

- All displays shall be mounted on a wall-mounted swing-frame in Portrait orientation..
- Where FSU configurations are required, a floor-stand is provided upon which to install the wall-mounted swing frame per display..
- Swing-frames will include an equipment tray, within the ADA depth requirement, with integrated PSU..
- The power supply will be included with the display SKU# ref. but shipped fitted to the wall-frame, the display will have a flying lead DC power cord with neutrik connector to the PSU..



WARNING:

A local Certified Structural Engineer must specify and stamp a suitable support system for each site, including walls, footings, stands, and all anchoring hardware.



WARNING:

Refer to the applicable kit Field Assembly (FA) Drawing instructions to ensure correct and safe installation and interconnection of the equipment.



LIFTING HAZARD:

Placard VS displays are heavy! Do NOT lift or move these heavy objects without proper mechanical lift assistance.



WARNING:

All power connections to be completed by a Certified Electrician, in accordance with the approved wiring schematic.



WARNING:

Ensure that all cables are properly located and secured to prevent "pinching" while opening and closing the equipment swing frame.



WARNING:

THE SYSTEM CONTAINS NO USER-SERVICEABLE PARTS. Removal of all panels must only be carried out by a Praelvar authorized technician. Failure to comply with void all warranties.



HAZARDOUS VOLTAGE:

Risk of electric shock! Ensure power is disconnected before opening for service. An all-pole 20A circuit (in accordance with IEC 62368-1 Annex L) shall be incorporated in the electrical installation of the building.

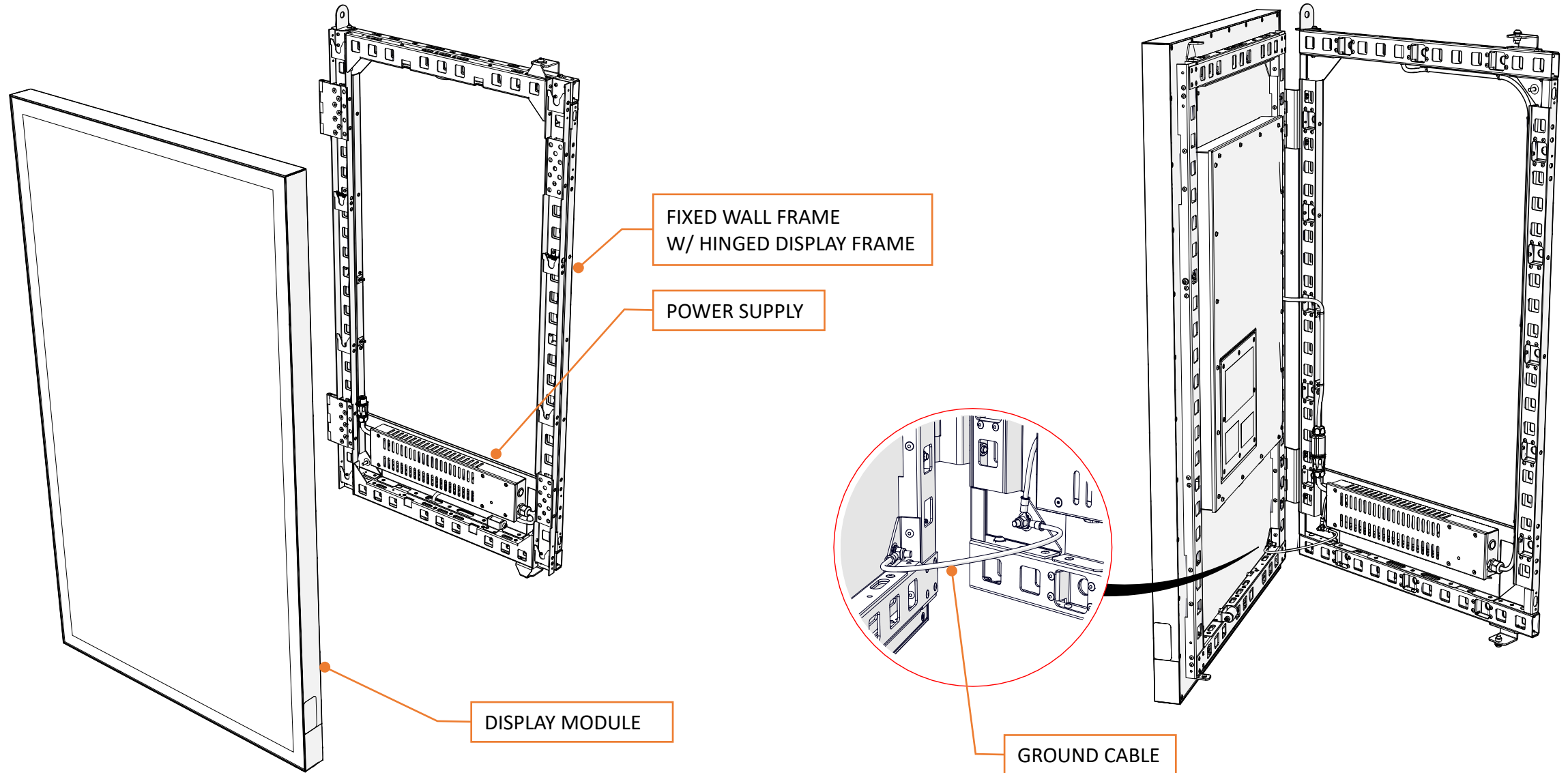


WARNING:

This product allows no user access to any of the integrated internal electronics within central the sealed vault, if the rear fixings or panels are tampered with or removed, warranty is void. System should be referred to an accredited service provider for any repair, upgrade or part replacement.

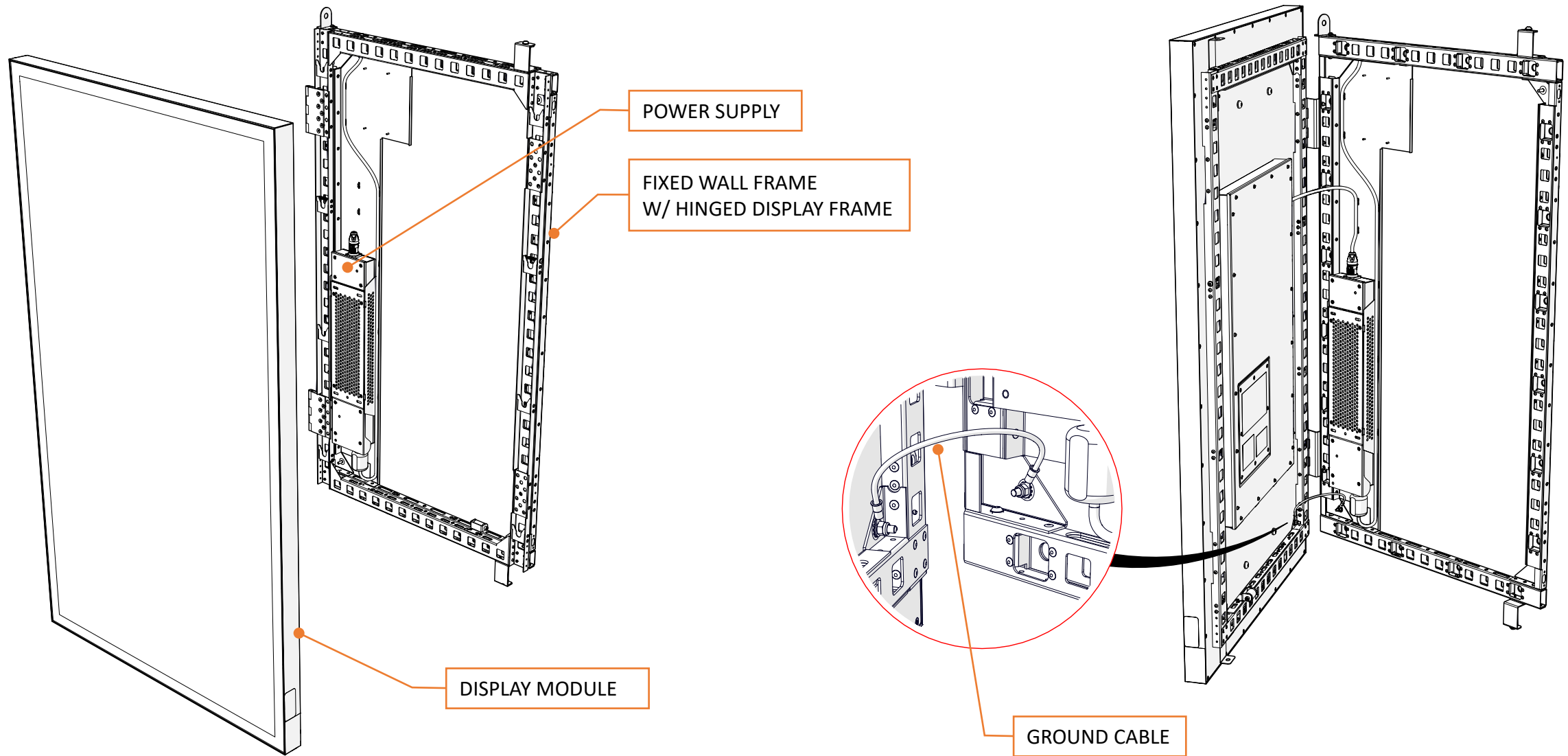
Placard VS ... Wall Frame Installation, Portrait, Single (VS55)

... Refer to Drawing PRA-005-004-304FA for Detailed Field Installation Instructions ...



Placard VS ... Wall Frame Installation, Portrait, Single (VS65 & VS75)

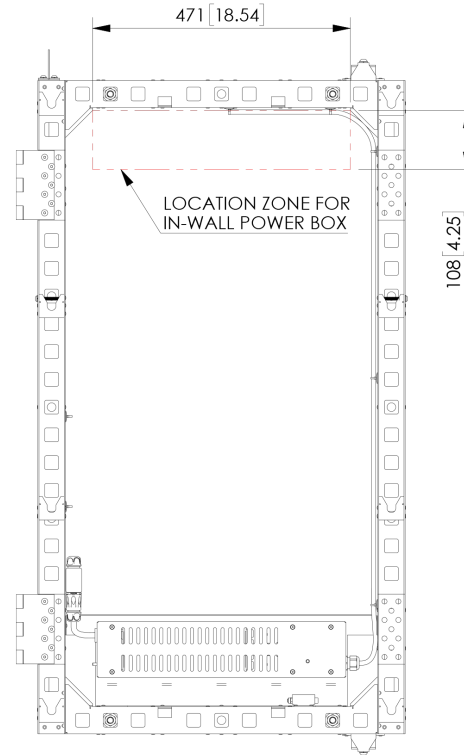
... Refer to Drawings PRA-005-005-304FA & PRA-005-006-304FA for Detailed Field Installation Instructions ...



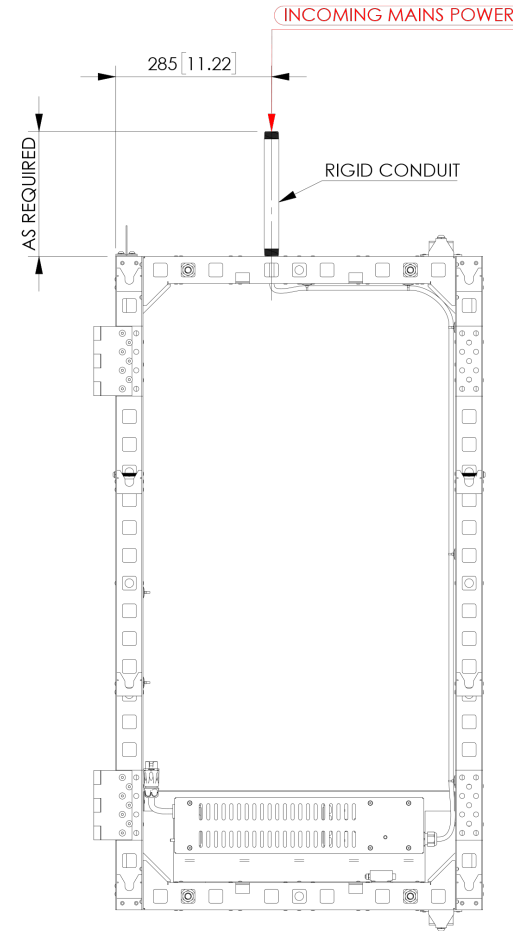
Placard VS ... Wall Frame Electrical Connection, VS55 Display

- REFERENCE ELECTRICAL SCHEMATIC DRAWING PRA-5004 FOR CONNECTION DETAILS.
- CONNECT 2m LONG AC CABLE WITH INCOMING MAINS POWER USING ONE OF THE OPTIONS LISTED.
- AN ALL-POLE 20A CIRCUIT BREAKER MUST BE INCLUDED WITH THE SUPPLY CIRCUIT BY THE INSTALLING ELECTRICIAN.

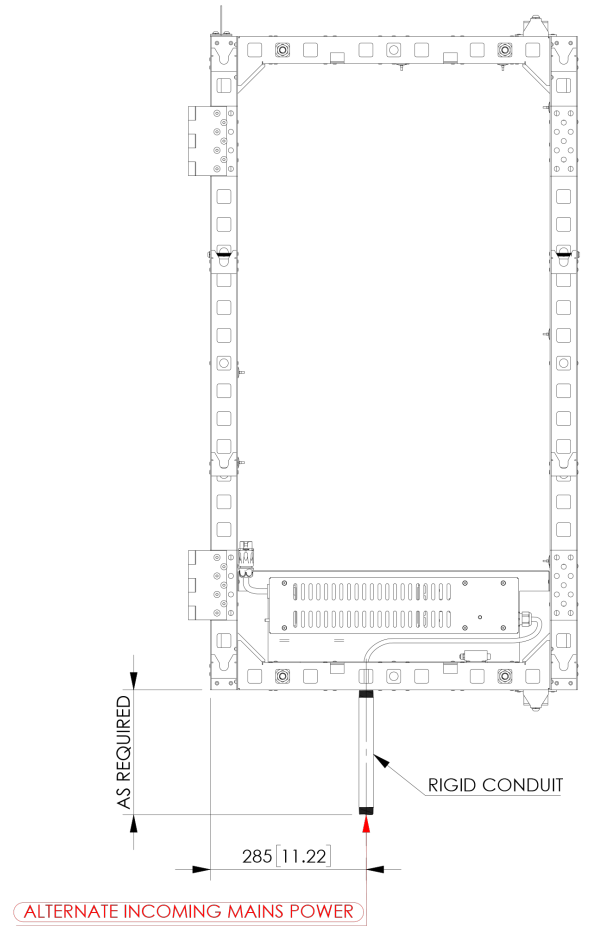
ALL ELECTRICAL WORK
MUST BE COMPLETED BY A
QUALIFIED TECHNICIAN



OPTION 1 (PREFERRED)
IN-WALL POWER BOX



OPTION 2
RIGID CONDUIT FROM ABOVE

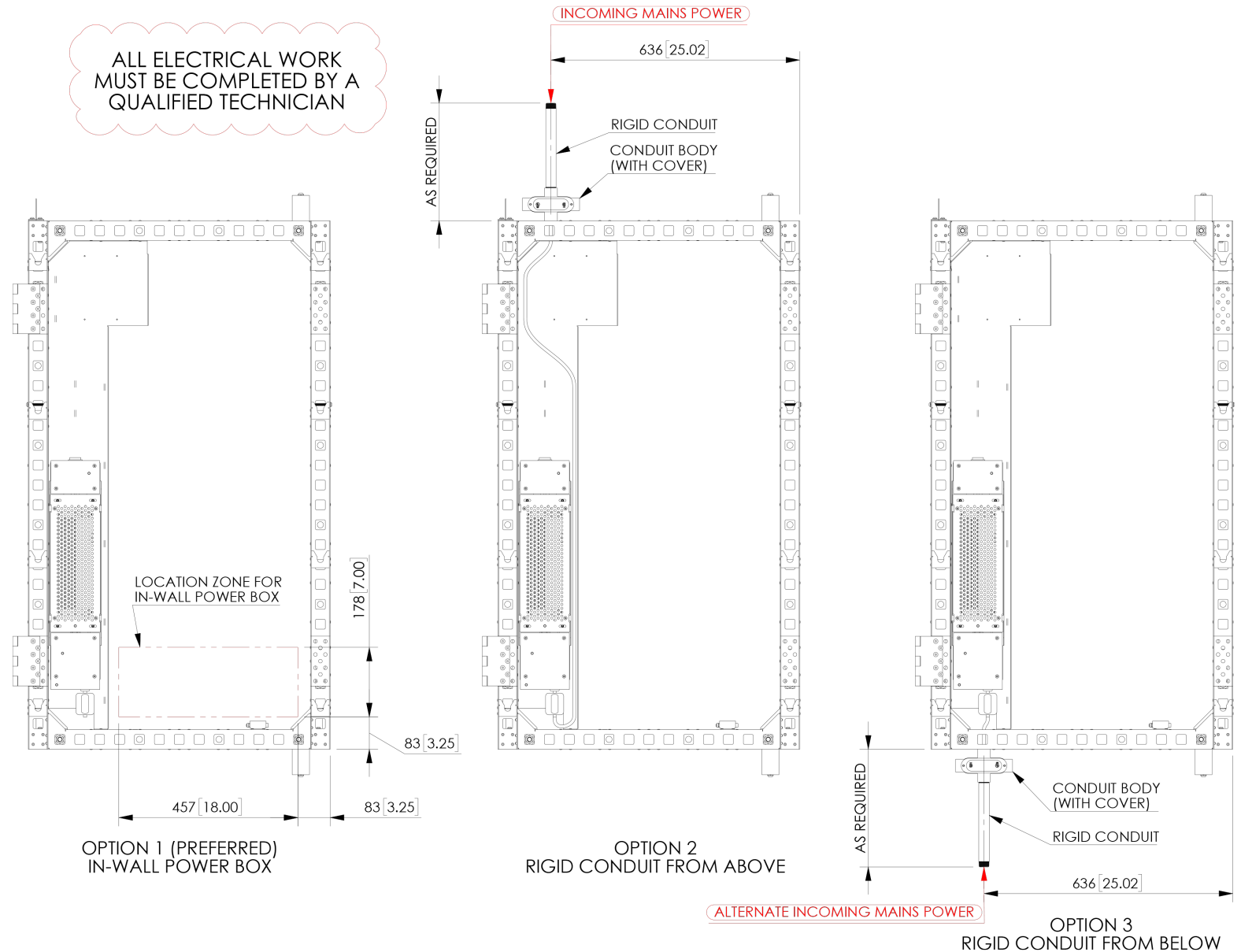


OPTION 3
RIGID CONDUIT FROM BELOW

Placard VS ... Wall Frame Electrical Connection, VS65 Display

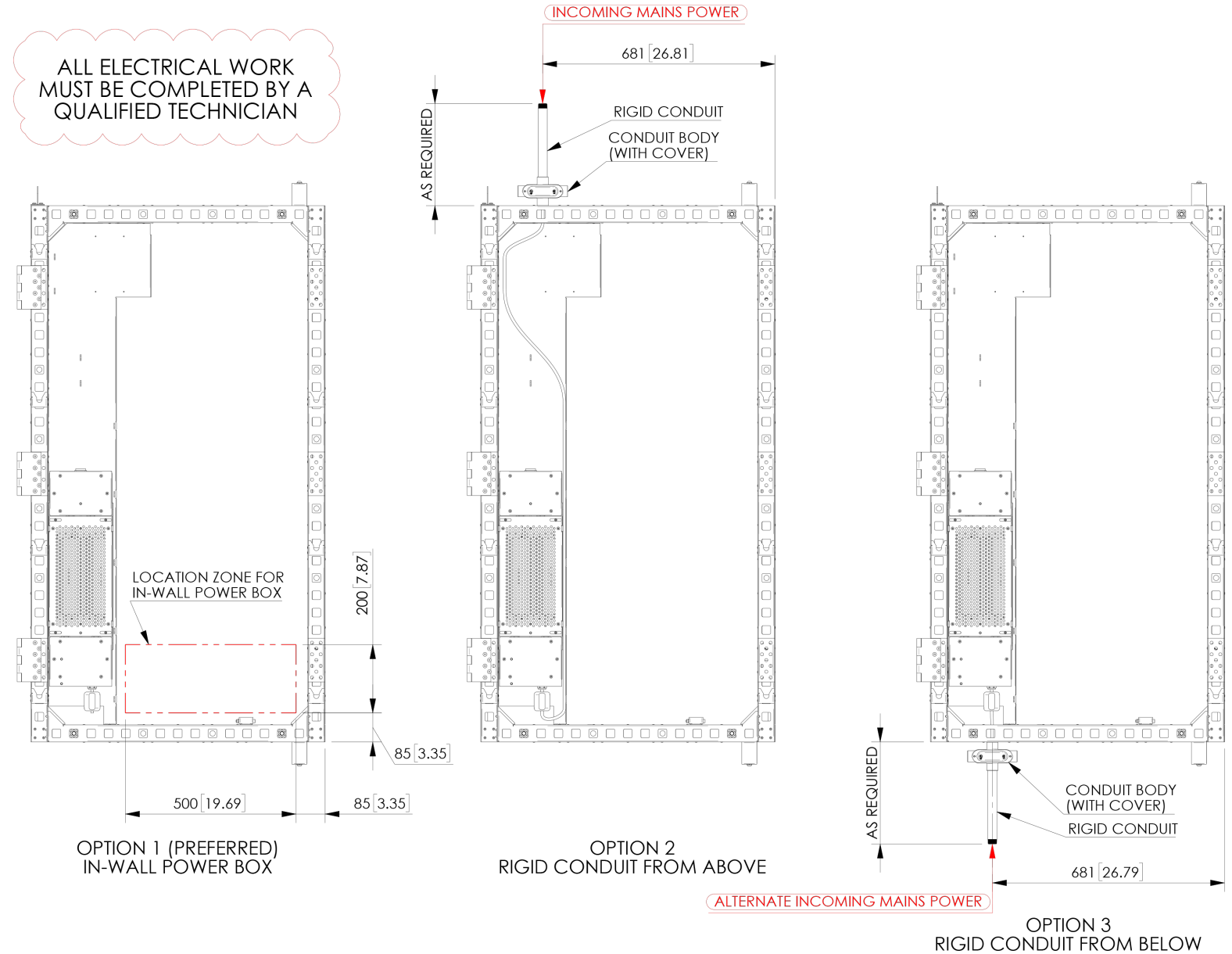
- REFERENCE ELECTRICAL SCHEMATIC DRAWING PRA-5001 FOR CONNECTION DETAILS.
- CONNECT 2m LONG AC CABLE WITH INCOMING MAINS POWER USING ONE OF THE OPTIONS LISTED.
- AN ALL-POLE 20A CIRCUIT BREAKER MUST BE INCLUDED WITH THE SUPPLY CIRCUIT BY THE INSTALLING ELECTRICIAN.

ALL ELECTRICAL WORK
MUST BE COMPLETED BY A
QUALIFIED TECHNICIAN



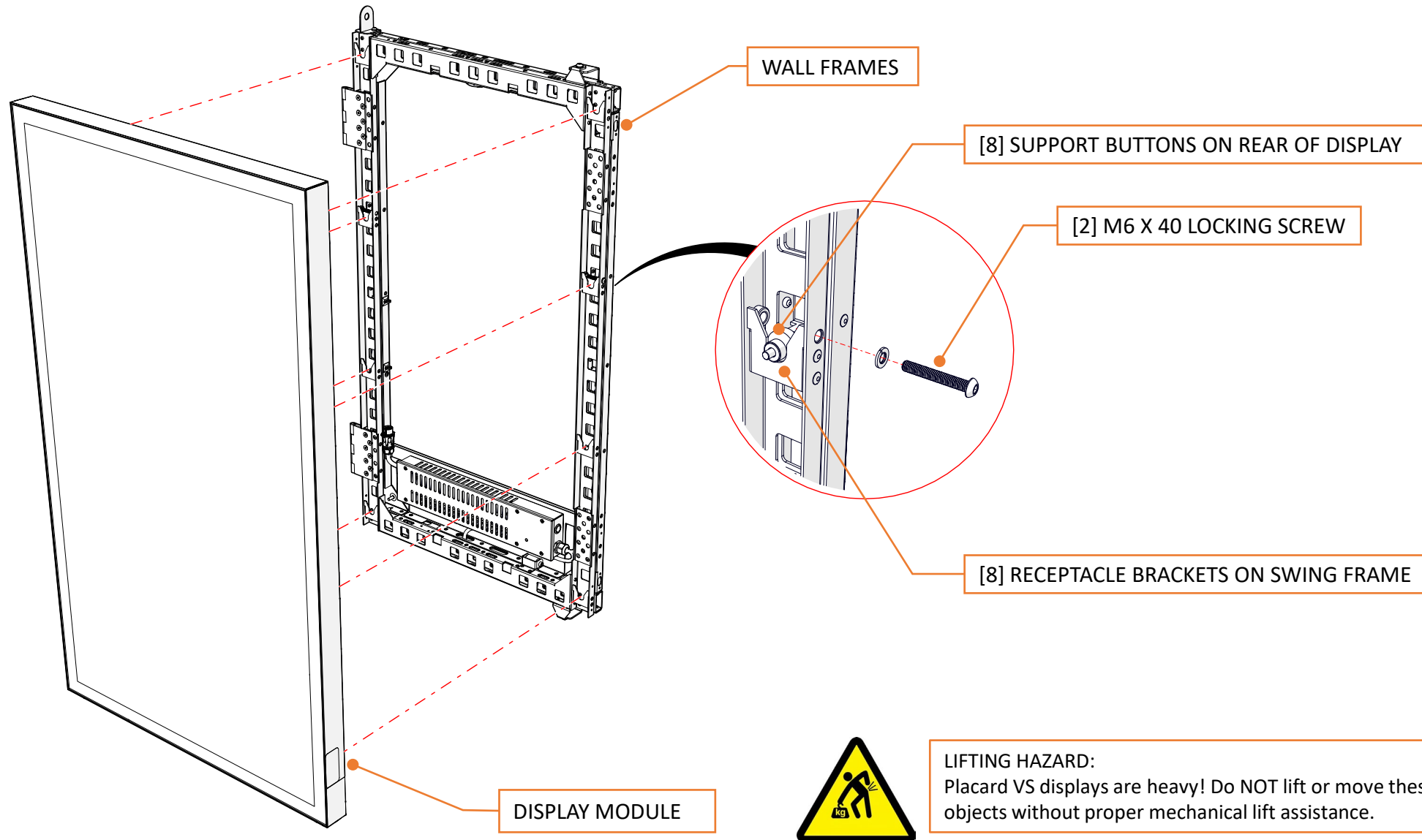
Placard VS ... Wall Frame Electrical Connection, VS75 Display

- REFERENCE ELECTRICAL SCHEMATIC DRAWING PRA-5002 FOR CONNECTION DETAILS.
- CONNECT 2m LONG AC CABLE WITH INCOMING MAINS POWER USING ONE OF THE OPTIONS LISTED.
- AN ALL-POLE 20A CIRCUIT BREAKER MUST BE INCLUDED WITH THE SUPPLY CIRCUIT BY THE INSTALLING ELECTRICIAN.



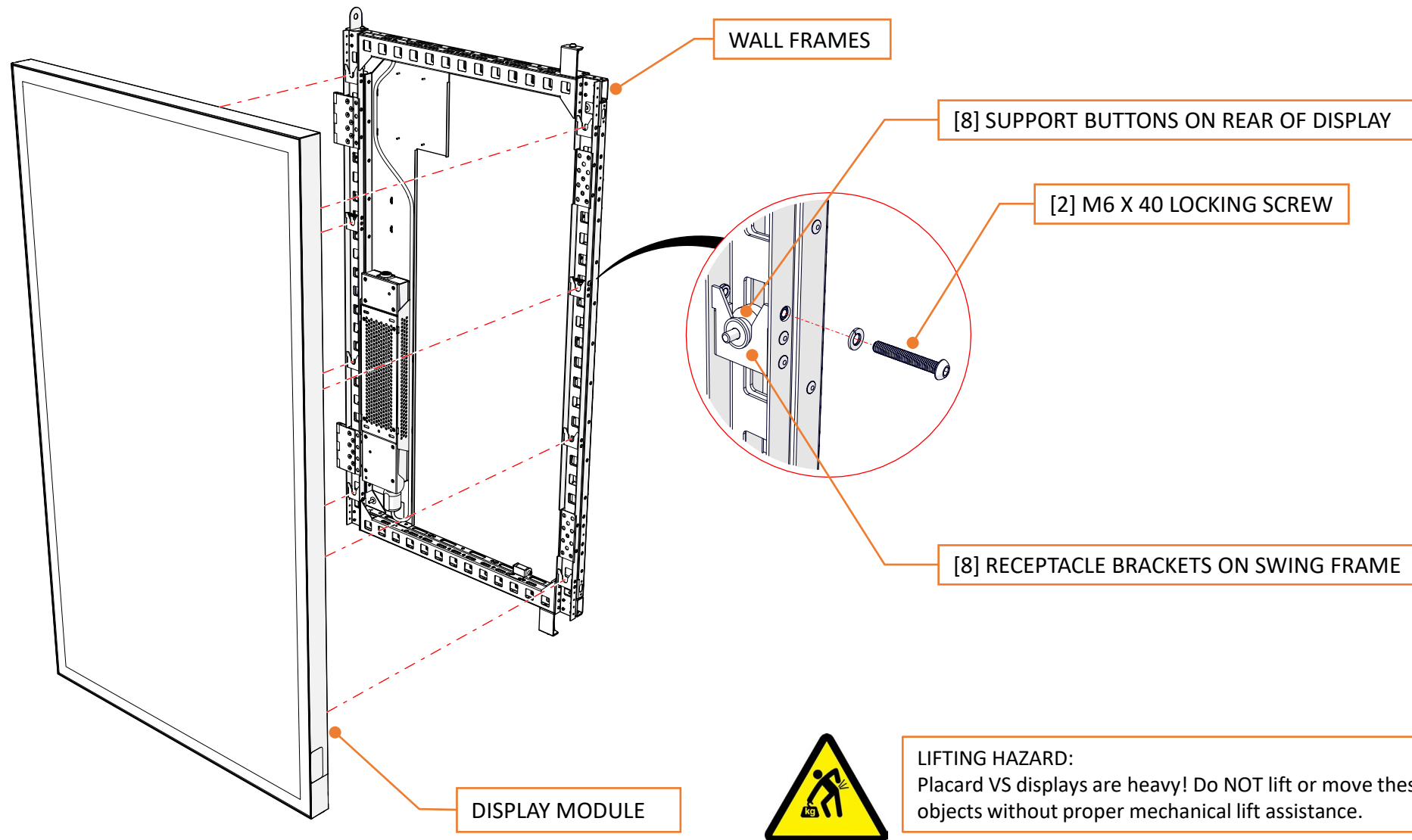
Placard VS ... Display Module Installation, Portrait, Single (VS55)

... Refer to Drawing PRA-005-004-304FA for Detailed Field Installation Instructions ...



Placard VS ... Display Module Installation, Portrait, Single (VS65 & VS75)

... Refer to Drawings PRA-005-005-304FA & PRA-005-006-304FA for Detailed Field Installation Instructions ...



Operation

Placard VS ... Operating Precautions & Notes



WARNING:
A local Certified Structural Engineer must specify and stamp a suitable support system for each site, including walls, footings, stands, and all anchoring hardware.



WARNING:
Ensure that all cables are properly located and secured to prevent "pinching" while opening and closing the equipment swing frame.



WARNING:
Refer to the applicable kit Field Assembly (FA) Drawing instructions to ensure correct and safe installation and interconnection of the equipment.



WARNING:
THE SYSTEM CONTAINS NO USER-SERVICEABLE PARTS.
Removal of all panels must only be carried out by a Praevar authorized technician. Failure to comply with void all warranties.



LIFTING HAZARD:
Placard VS displays are heavy! Do NOT lift or move these heavy objects without proper mechanical lift assistance.



WARNING:
This product allows no user access to any of the integrated internal electronics within central the sealed vault, if the rear fixings or panels are tampered with or removed, warranty is void. System should be referred to an accredited service provider for any repair, upgrade or part replacement.



WARNING:
All power connections to be completed by a Certified Electrician, in accordance with the approved wiring schematic.

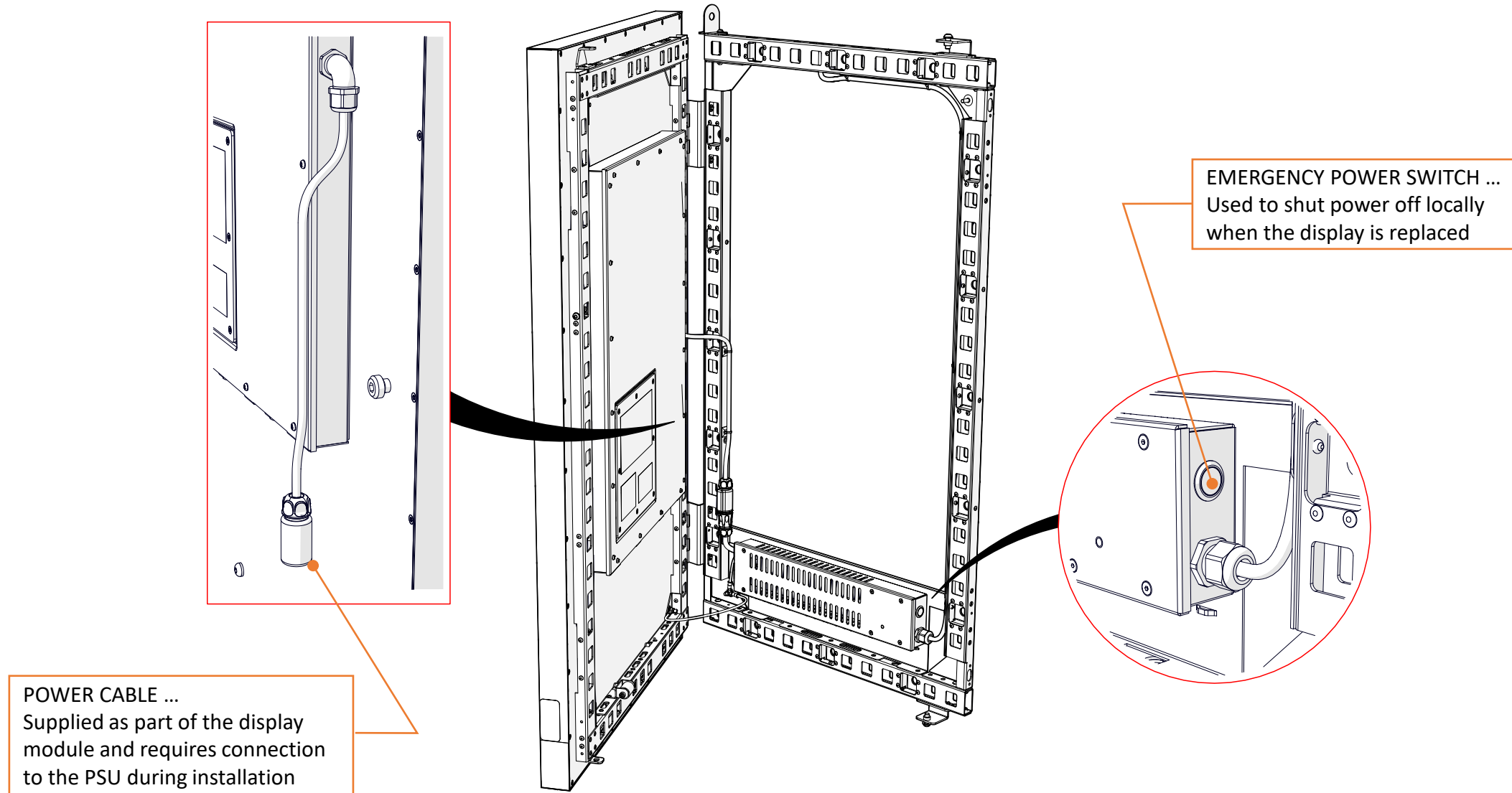


WARNING:
Operating temperature is -4°F to +122°F [-20°C to +50°C]

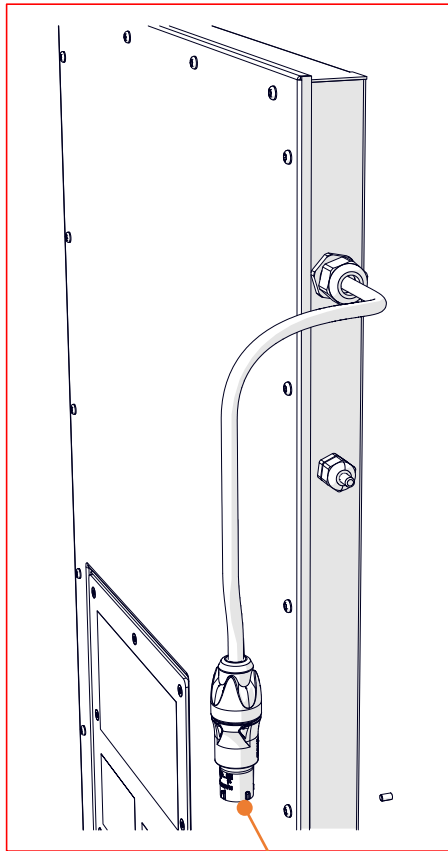


HAZARDOUS VOLTAGE:
Risk of electric shock! Ensure power is disconnected before opening for service. An all-pole 20A circuit breaker (in accordance with IEC 62368-1 Annex L) shall be incorporated in the electrical installation of the building.

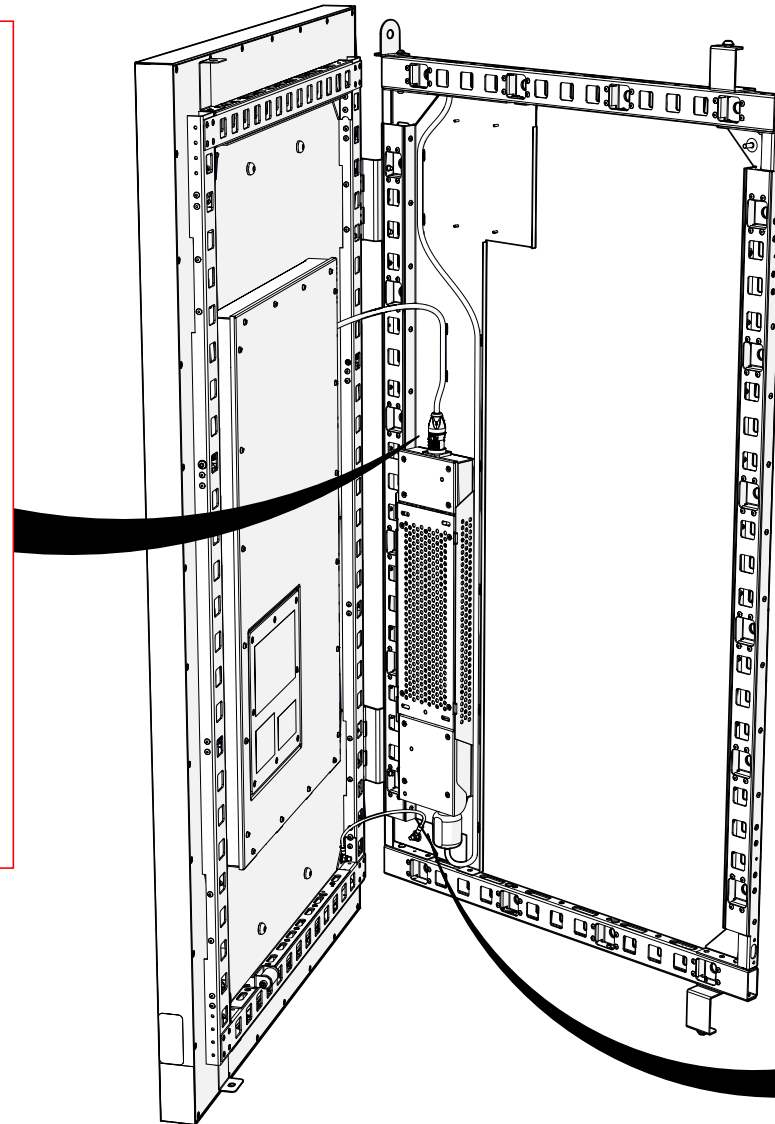
Placard VS ... Power Supply Detail (VS55)



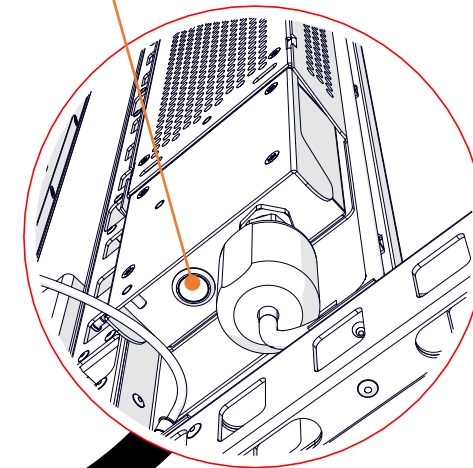
Placard VS ... Power Supply Detail (VS65 & VS75)



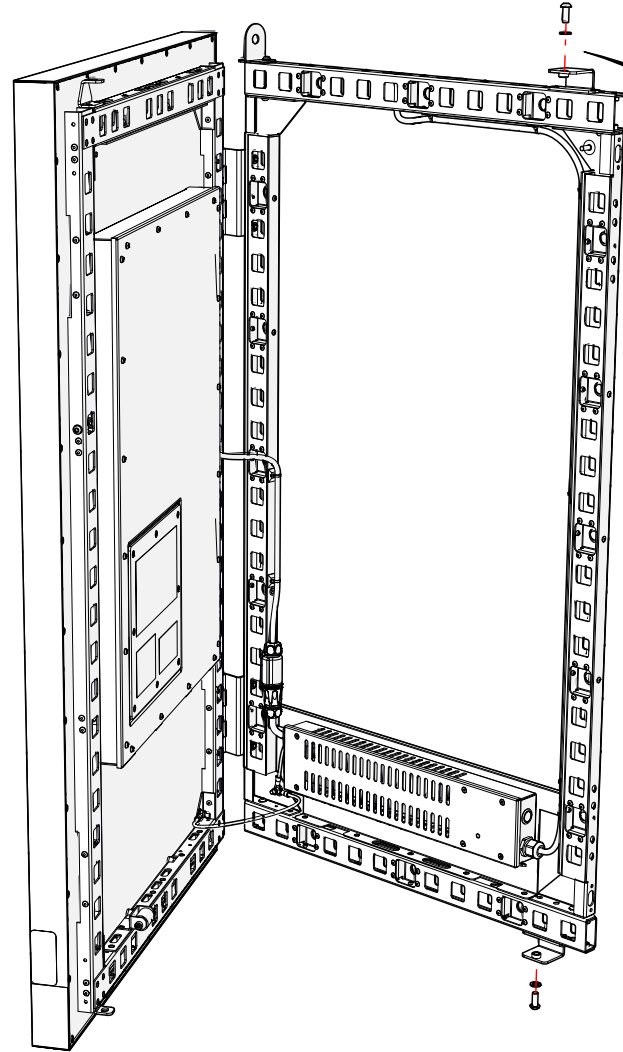
POWER CABLE ...
Supplied as part of the display
module and requires connection
to the PSU during installation



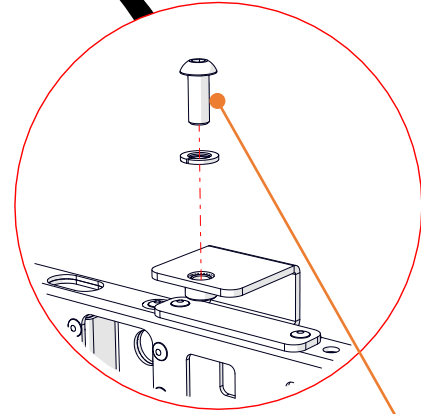
EMERGENCY POWER SWITCH ...
Used to shut power off locally
when the display is replaced



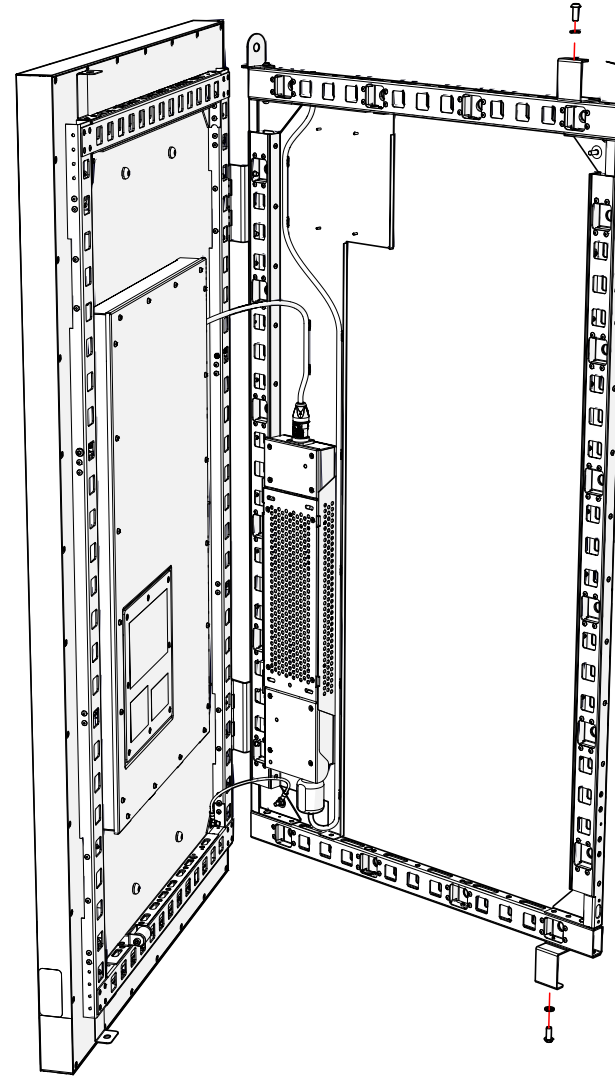
Placard VS ... System Access, Wall Mount, Portrait



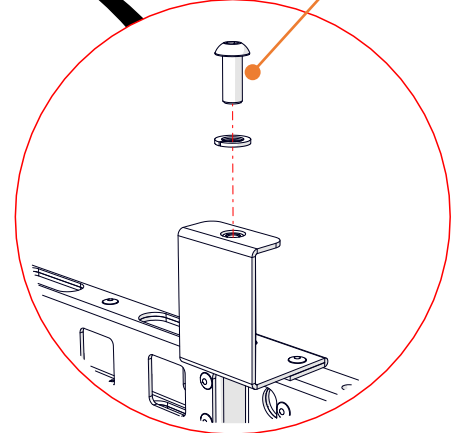
VS55



M8 X 20 TAMPER PROOF
HARDWARE (TOP & BOTTOM)



VS65 & VS75



M8 X 20 TAMPER PROOF
HARDWARE (TOP & BOTTOM)

Placard VS ... Player Access (VS55)

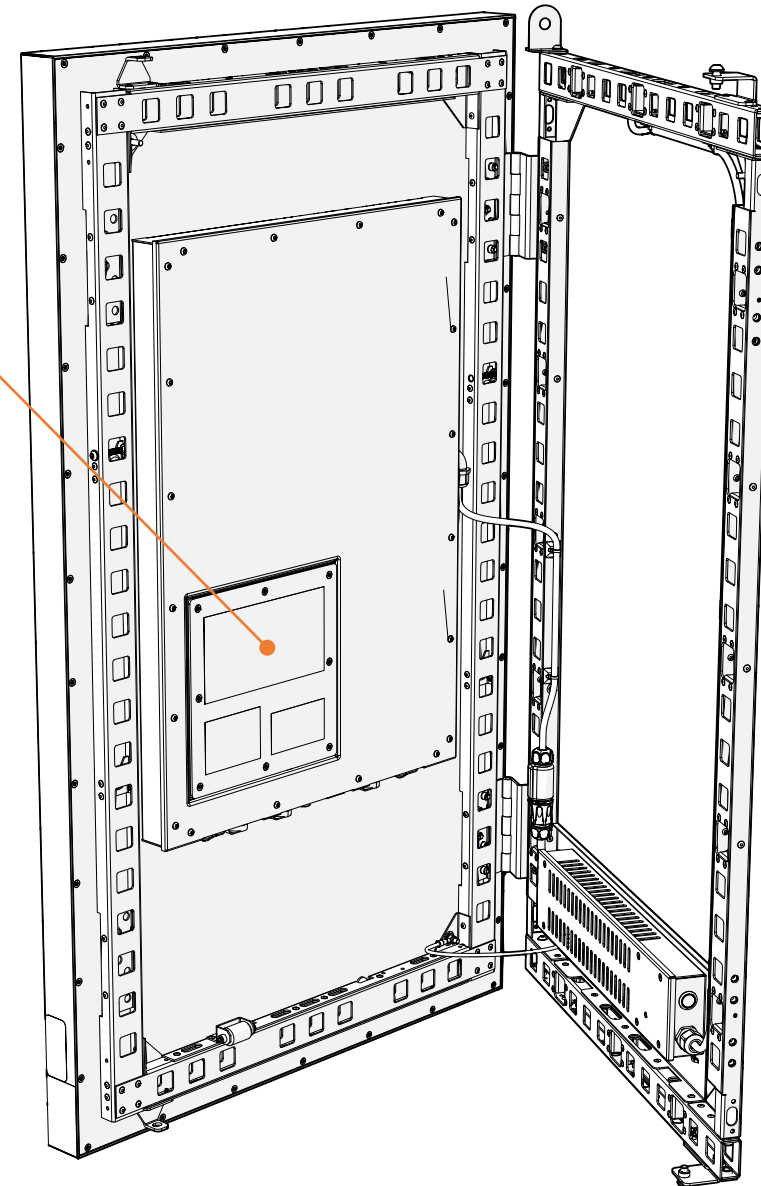
PLAYER ACCESS PANEL ...
M4 SCREWS SHALL BE
TIGHTENED TO A TORQUE
OF 2.26 N-m (20 lbf-in)



WARNING:
THE SYSTEM CONTAINS NO USER-SERVICEABLE PARTS.
Removal of all panels must only be carried out by a Praevar
authorized technician. Failure to comply with void all warranties.



WARNING:
This product allows no user access to any of the integrated
internal electronics within central the sealed vault, if the rear
fixings or panels are tampered with or removed, warranty is void.
System should be referred to an accredited service provider for
any repair, upgrade or part replacement.



Placard VS ... Player Access (VS65 & VS75)

PLAYER ACCESS PANEL ...
M4 SCREWS SHALL BE
TIGHTENED TO A TORQUE
OF 2.26 N-m (20 lbf-in)



WARNING:
THE SYSTEM CONTAINS NO USER-SERVICEABLE PARTS.
Removal of all panels must only be carried out by a Praevar
authorized technician. Failure to comply with void all warranties.



WARNING:
This product allows no user access to any of the integrated
internal electronics within central the sealed vault, if the rear
fixings or panels are tampered with or removed, warranty is void.
System should be referred to an accredited service provider for
any repair, upgrade or part replacement.

